

Power

Horsepower	31 hp
Power Source	Vanguard 3LC950P
Fuel Capacity (liquid propane)	two 20 lb. tanks

Dimensions

Weight (app)	3,100 lb
Overall Length	84"
Overall Width	34"
Overall Height (folded)	66"
Mast Extended	130"
Probe Stroke	56"

Hydraulics

Hydraulic Pressure (system)	2,100 psi
Hydraulic Flow Rate (system)	10 gpm
Hydraulic Oil Cooler	18,000 BTU single

Hydraulic Operation

Down Force	19,950 lb
Retraction Force	26,250 lb
Side-to-Side Movement	10"
In/Out Travel	14"
Four Up-Down	32"

Hydraulic Hammers

Standard Hammer - AR-48	175 ft-lb - 1,500 bpm
-------------------------------	-----------------------

NEW! PowerProbe™ 9100-VTR-P

Safer drilling option for drilling inside buildings and other confined spaces!

The compact, 34-inch wide, AMS PowerProbe™ 9100-VTR is even more versatile with a NEW propane-fueled option. The 9100-VTR-P (propane) is the ideal solution for confined situations.

It provides easy access and mobility and can even access through a 36" gates. Navigation through doors, gated openings,

and into buildings with low overhead clearance is easy, and propane's clean burning properties help to maintain air quality and increases safety with a minimal flammability range. Mounted with transport hooks, this rig can be air-lifted into remote job location. Features a 175 ft-lb hammer.

Standard Features

- Rubber tracks for minimal ground disturbance
- Long lasting powder-coated finish
- Anodized metal power track
- Electro-hydraulic valves – in-out, side-side, and tilt
- Spring-loaded pull yoke
- Enhanced control panel
- One year warranty
- Tooling storage
- 175 ft-lb hydraulic hammer
- Adjustable mast for angled probing
- Transport hooks
- Two (2) 20 lb. (pound) liquid drawn propane (LP) tanks, which pull from the bottom of the the tank

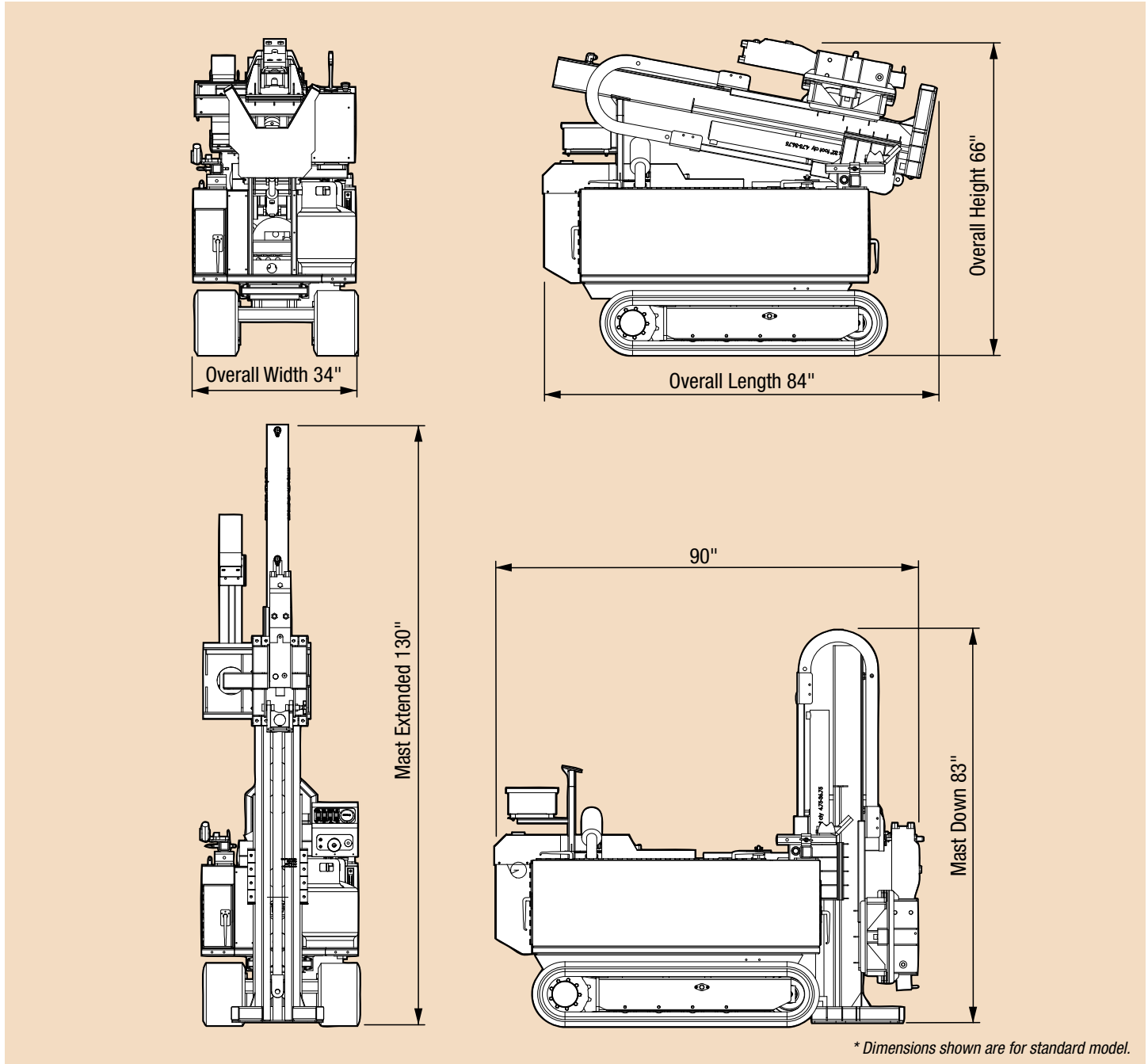
Convenience/Safety Package

- Hand auger to pre-clear soil boring locations
- Hydraulic oil pressure and temperature gauges
- Emergency stop system
- Pendant remote with 15' cord
- 12 volt outlet
- Tooling vise
- Storage for pendant control

call for pricing



PowerProbe™ 9100-VTR-P



Options and Accessories

- Regen System
- Wireless Remote
- Gas Engine Option
- Diesel Engine Option (see page 74)

Mounting Options

- AMS Track Carrier – Only