

PowerProbe™ 9300-SK



The PowerProbe™ 9300-SK models include a 72" probe stroke to allow use of 4 foot tooling and a 175 ft-lb hammer with more options available. If a hollowstem auger capability is what you need, we have given you a choice of two auger drive head options that can be added to your skid steer model.

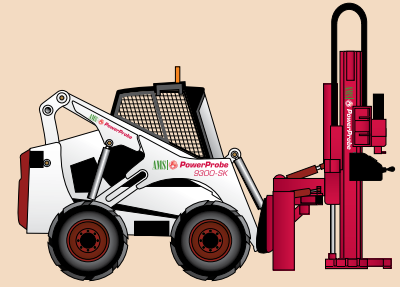
Some carrier vehicle requirements are needed dependent on your choices. Contact an AMS representative for more information.

Standard Features

- Adjustable mast
- Long lasting powder-coated finish
- Anodized metal power track
- Electro-hydraulic valves – in-out, side-side and tilt
- Spring loaded pull yoke
- Enhanced control panel
- One year warranty
- Tooling storage and vise
- Quick disconnect kit
- Auxiliary hydraulic hook-up kit (carrier only)
- 175 ft-lb hydraulic hammer
- Skid quick mount plate

Convenience/Safety Package

- Hand auger to pre-clear soil boring locations
- Hydraulic oil pressure gauges
- Emergency stop system
- 12 Volt accessory outlet
- Hour meter



Power

Required Horsepower40 hp or higher
 Required Lifting Capacity +2,500 lbs

Dimensions

Weight (app.) app. 2,500 lb
 Probe Width63"
 Height Elevated102"
 Max Cylinder Height160"
 Standard Probe Stroke72"
 Optional Probe Stroke60, 80"

Hydraulics

Hydraulic Oil Pressure Minimum2,400 psi
 Oil Flow 16 gpm Minimum Flow Required
 Hydraulic Oil Capacity vehicle dependent

Hydraulic Operation

Down Force29,000 lb
 Pull-Up Force41,000 lb
 Head Travel Rate Up 16 sec
 Head Travel Rate Down 13 sec
 In/Out Travel12"
 Horizontal Traverse26.5"
 Foot Vertical Stroke36"
 Probe Angles80 to 100 degrees

Hydraulic Hammers

Standard Hammer - AR-48175 ft-lb - 1,500 bpm
 Optional Hammer - AR-62550 ft-lb - 1,150 bpm
 Optional Hammer - S-21201 ft-lb - 2,200 bpm

Auger Drive Head

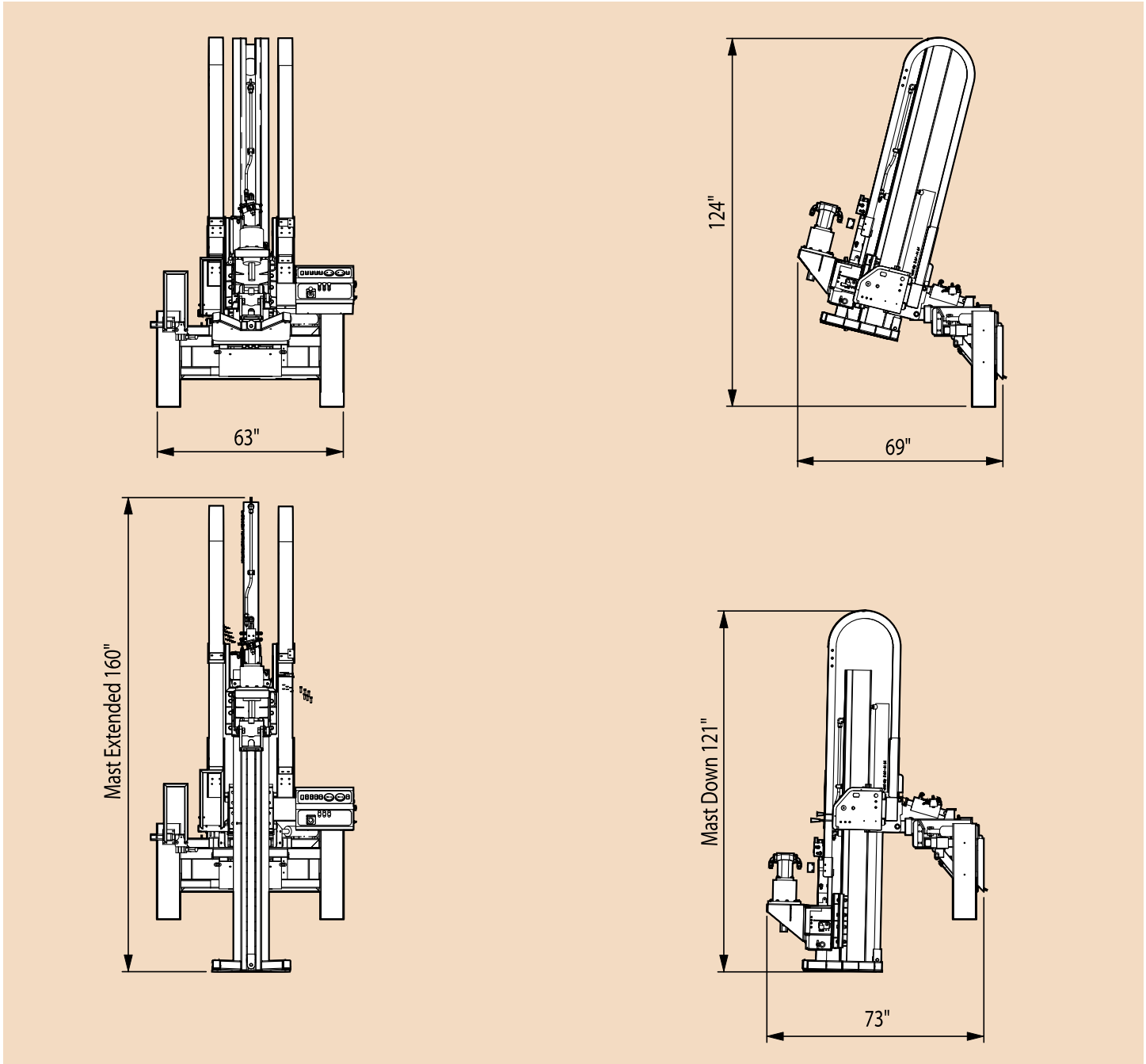
Optional 2-Speed3,400 ft-lb
 2-Speed, Hi=145 rpm, Low=35 rpm
 Optional 2-Speed2,400 ft-lb
 2-Speed, Hi=150 rpm, Low=40 rpm

call for pricing



PowerProbe™ 9300-SK

PowerProbe™ 9300-SK



Options and Accessories

- 10,000 lb. Hydraulic Winch
- 3,000 lb. Hydraulic Hi-Speed Winch
- Auxiliary Hydraulic Quick Connects
- Regen System



Geotechnical Options

- 9300-SK Auto Drop Assembly (SPT)
- CPT, CPTu, Seismic and Memo Vane (for accessories, see page 108.)
- Single Point Anchoring System (CPT)
- Dual Point Anchoring System (CPT)



Mounting Options

- 40HP-Minimum Skid Steer
- Minimum Lifting Capacity - 2,500 lbs.



Auger Options

- Hi-Flow option on skid is required.

AMS |  *The world's finest sampling equipment.*

105 Harrison Street, American Falls, Idaho 83211 U.S.A.

Order by phone 800.635.7330 intl 208.226.2017 by fax 208.226.7280 online www.ams-samplers.com

©2007 AMS, Inc. All rights reserved.